



TYPE GF (LP) IN-LINE BASKET STRAINERS

Type "GF" fabricated, in-line basket strainers are designed to fit into pipelines to trap and retain particles in the liquid stream which would otherwise continue downstream and clog or damage pumps, instruments, spray nozzles or other equipment. They are compact, cost-effective, and versatile. In addition to a standard range of sizes from 25mm to 400mm nominal bore, customised designs, sizes and features can easily be accommodated. Type "GF" basket strainers are South African designed and made to be robust and durable, and to operate in the harshest conditions.

Materials of construction: Carbon steel, 304 or 316 SS

Max operating pressure: 850 kPa

Max operating temperature: 80°C

End connections: Butt weld or flanged to spec.

Cover closure: Bolted

Surface treatment: SS – bead blast matt; MS – painted

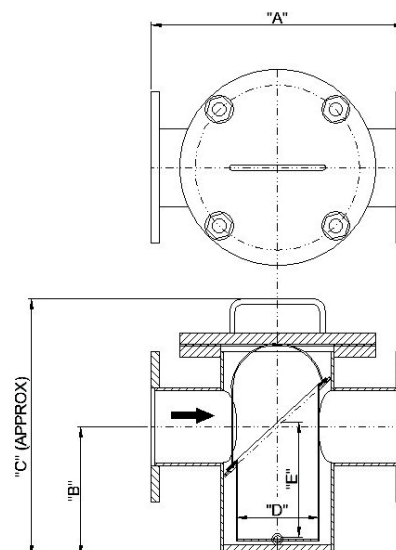
SANS 347 Hazard Cat: SEP

QA/QC: In-house only

Size	'A'	'B'	'C'	'D'	'E'
025 – 050	280	120	263	60	95
065	290	144	293	70	115
080	360	160	345	92	136
100	370	188	375	120	167
150	480	280	509	170	253
200	620	376	654	200	344
250	775	470	860	260	425
300	945	570	1050	320	520
350	1095	661	1218	371	613
400	1200	747	1365	416	676

"Standard" Strainer Range

model 020 20mm NB ports	model 050 50mm NB ports
model 025 25mm NB ports	model 080 80mm NB ports
model 032 32mm NB ports	model 100 100mm NB ports
model 040 40mm NB ports	model 150 150mm NB ports



Viscosity correction:

Multiply water pressure drop above by factor

Viscosity in centistokes	Unlined	<60 mesh	60 - 80 mesh	80 - 100 mesh
500	1,8	2,1	2,4	2,6
1000	2,1	2,4	2,6	2,8
2000	2,4	2,7	2,9	3,2
3000	2,7	2,9	3,2	3,5